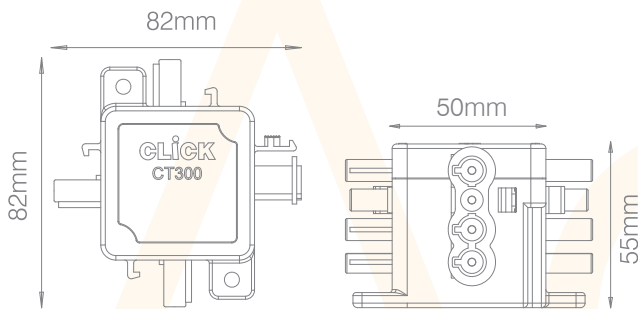




### AC12274

### 4 Pole 1 In 3 Out Hub

- 20A rated
- 4 pole connection
- Enables either 3 pole or 4 pole connectors to be fitted
- Locking mechanism integrated
- Fixing points provided



#### Technical Specification

Dimensions	82mm (W) x 82mm (D) x 55mm (H)
Maximum Voltage	250V~ 50Hz
Load Rating	20A
Operational Temp.	-5°C to +40°C
Warranty	10 Years

1-AC12274-2021-V1