

AC21010

25mm Galvanised Conduit Saddle

To secure 25mm galv conduit

Simply wrap & lock

Labour-saving single piece fixing;
only 1 screw required

Certified for 2 hours at 970°C,
>1200°C melting point

Ideally use with AC21027 pan head screws

Provides a 3mm stand off from surface

Pack of 20 x Saddles

Technical Specification

Produced from pre-galvanised mild steel

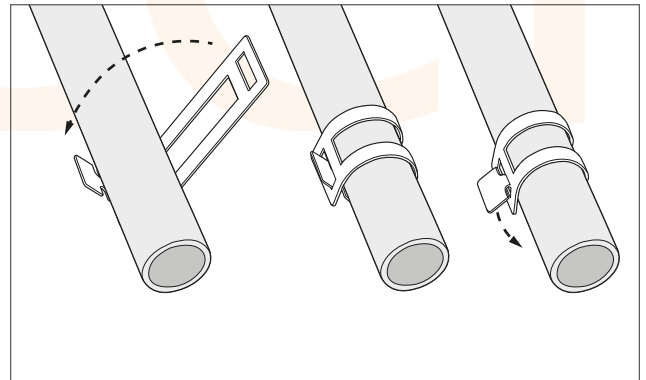
Pliable gauge

5.7mm diameter hole

Compliant with BS7671 & BS5839-1 requirements

Adjustable slot in base for fixings

Fire-tested by Exova



2-AC21010-2021-V1