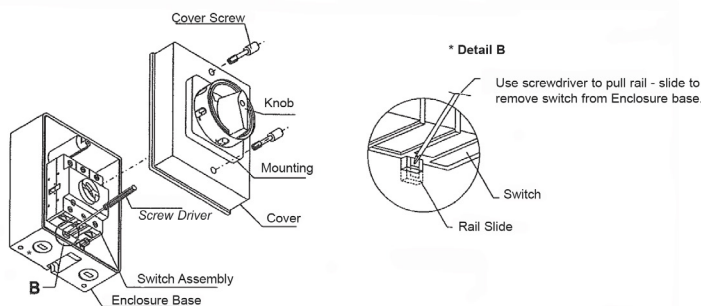




AC3203

40A 4 Pole Enclosed Switch-Disconnecter (IP65)

IP65, 20mm cable entries, Robust polycarbonate enclosure, UV resistant, Enclosure glow wire flammability rating 960°C, Halogen free, Lower smoke generation, Padlockable in the OFF position, AC-21 Switch Rating, H:125 x W:100 x D:74mm, Enhanced safety, Easy Installation, Robust & Durable, Wide product range



Technical Specification	
IEC & EN	690V
Main Switch: Isolating Voltage up to	750V
Rated Impulse Withstand Voltage Uimp	6kV
Rated Uninterrupted Current Iu	32A
Max Fuse Size (Type gL)	32A
Rated Fused Short Circuit Current	30kA
Single/ Multiple Strand Wire	2.5mm ² Min 10mm ² Max
Fine Strand with Sleeve	0.75mm ² Min 6mm ² Max
Recommended Tightening Torque	1.7Nm

3-AC3203-2021-V1