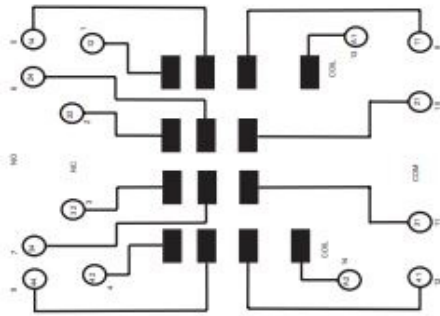


AC33592

14 Pin Miniature Relay Base

6A AC-1 3PCO, LED, flag indicator and lockable test button, Remote access, Space saving, Ease of test functionality



Technical Specification	
Rated Load	10/300 A/AVAC (Current / Voltage)
Dielectric Strength	4000 V/S (Coil / Contacy)
	2500 V/S (Between Contacts)
External Connection Wire	20-14/0.5-2.5 AWG/mm ²
Screw Torque	0.8 Nm
Terminal Protection Degree	IP20

3-AC33592-2021-V1