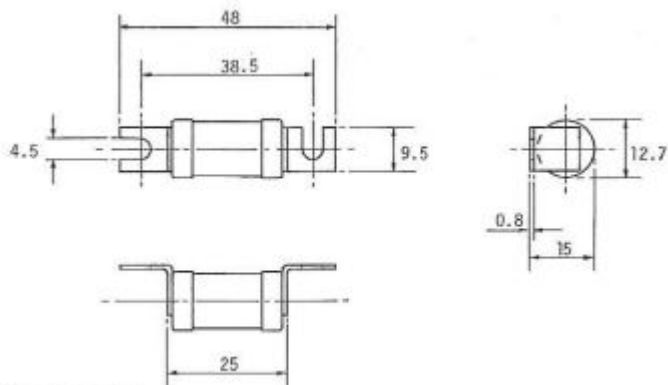




AC3361

10A LST Fuse

Fixing centres: 38.5mm, 48 x 12.7mm / 240V



Technical Specification	
Current Rating	10A
Fixing Centres (mm)	38.5mm
Carton Weight (kg)	0.12

3-AC3361-2021-V1