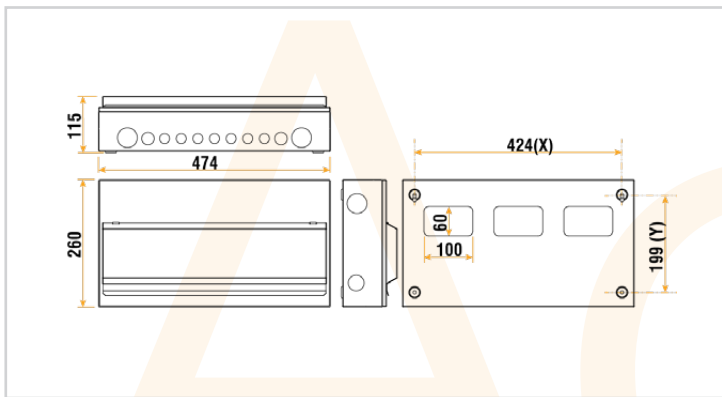




AC38006

22 Way Cons. Unit + Iso. Sw

- Straight mains board
- Metal consumer unit enclosure
- White finish (RAL 9003)
- Mains tail clamp fitted as standard
- 100A Mains Switch fitted
- 2 x Blanks Supplied (Product Code: AC38070)
- 20 free ways
- 10 year warranty (3 year warranty for devices)



Technical Specification

Dimensions With Door	474mm (W) x 260mm (H) x 115mm (D)
CU Knockouts (Top)	7 x Ø20mm, 2 x Ø25mm & 2 x Ø40mm
CU Knockouts (Bottom)	7 x Ø20mm, 2 x Ø25mm & 2 x Ø40mm
CU Knockouts (Sides)	1 x Ø32 & 1 x Ø40
CU Knockouts (Rear)	3 x 100mm x 60mm
Nominal Voltage	230V~ 50/60Hz
Tail Clamp Capacity	25mm ²
Tail Clamp Torque	1.5Nm
Main Sw. Terminal Cap.	35mm ²
Main Sw. Terminal Torq.	2.5Nm
Operational Temp.	-5°C to +40°C

3-AC38006-2022-V1