

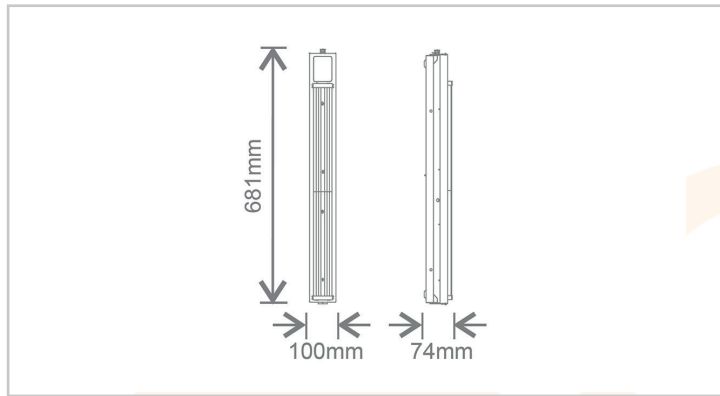


AC448100

Low Bay LED Fitting 80w

Features & Benefits

1. High efficiency upto 140lm/w
2. Class 1, IP20, IK08
3. Negligible UV output
4. BESA box fitting points
5. Conduit, trunking or surface mounting
6. Instant start
7. Long life of 40,000 hours
8. Optional Emergency version
9. Optional microwave sensor with stand-by dimming and daylight threshold



Technical Specification

Voltage	220-240 Vac 50/60Hz
Current (mA)	453
Rated Power (W)	80
CCT	6500k Day Light
Power Factor	0.96
Beam angle (degree)	90 x 110
In-rush current (A)	40 / 400 s
Luminous Flux (lm)	9500
Nominal Life time (h)	40000
Lifetime (L70B50) (h)	54000
Lifetime (L80) (h)	54000
Lifetime (L90) (h)	39000
Blue Light Hazard	RG1
Glow Wire Temperature	650
Proection	Class 1, IK08, IP20
Ambient Temperature (degree)	-20 to 40
Weight (kg)	2

4-AC448100-2022-V2