

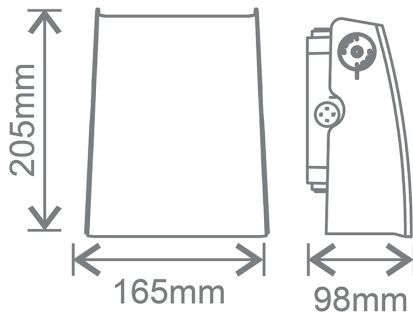


AC448151

Low glare IP65 Wall Pack 25w

Features & Benefits

1. CCT switchable 3000k/4000k/6500k
2. Dusk to dawn sensor by default
3. Adjustable tilt angles
4. IP65 and Vandal Resistant IK10
5. Die-cast anti-corrosion aluminium body
6. BESA box fitting points



Technical Specification

Power	25w
Voltage	220-240 Vac 50-60Hz
Current	114 mA
Protection	Class I, IP65
Power Factor	>0.95
Luminous Flux	2210 lm/ 2650 lm / 2650 lm
CCT	3000k / 4000k / 6500k
CRI	>80
Lifetime	40,000 h
Switching Cycles	50,000
Start Time	0.5s
Warm-up time to 60%	Instant full light
Diffuser	White opal diffuser
Lumen Maintenance Factor at Lifetime	0.75
Ambient Temperature (degree)	-20 to 40
Housing	Die-cast anti-corrosion aluminium
Beam Angle (degree)	65 x 90

4-AC448151-2022-V2