

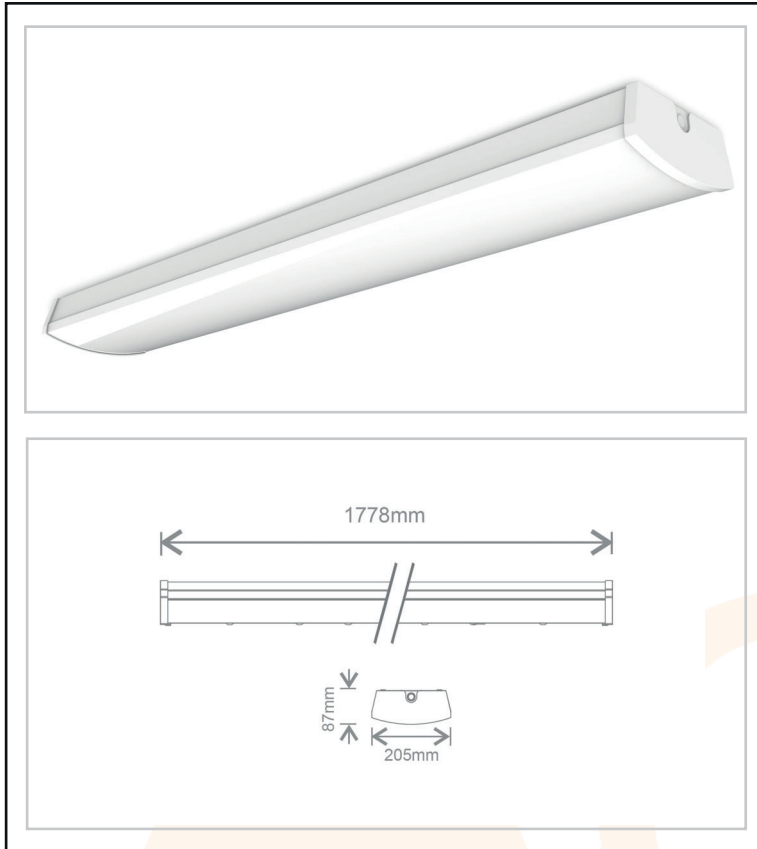


AC44848

65w 6ft Batten CCT switchable

Features and Benefits:

- Switchable CCT (3000k/4000k/6000k)
- Flicker free
- Work with Emergency Module (AC44849)
- Optional Dali dimming or optional microwave motion and daylight sensor with corridor dimming
- High efficiency up to 110lm/W
- Class I, IP20, IK08
- Suitable for through-wiring
- BESA mounting and 20mm conduit entry
- Long operational life of 40,000 hours
- Instand Start
- Negligible UV Output



Technical Specification	
Wattage	65w
Voltage	220-240 Vac 50-60 Hz
Current	297 mA
Inrush Current	44 A / 35 ns
CCT options	3000k / 4000k / 6000k
Nominal Luminous Flux	6500lm / 7100lm / 7100lm
Nominal Lifetime	40,000
Protection	Class I, IP20, IK08
Connection	Wiring terminals
Flicker Percent	2% (Flicker free)
Dimmable	Dali Option
Switching Cycles	50,000
Warm-up time to 60%	Instant full light
Dimensions L x W x D	1778 x 205 x 87mm
Power Factor	0.95
LMF at Nominal Lifetime	0.75
SDCM of CCT	<6
CRI	>80
Start Time	0-10s
Ambient Temperature	-20 to 40 degree
Emergency Module	AC44849
Emergency Luminous Flux	400lm

4-AC44848-2021-V1