

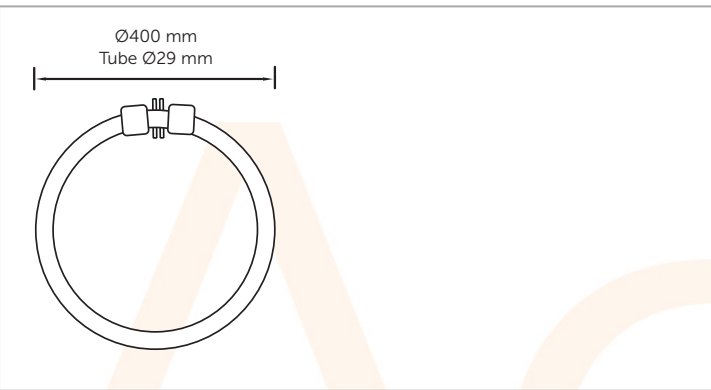


AC49269

T9 Triphosphor Circular

The T9 Triphosphor range features a G10q base and a White & Cool White colour temperature, this long-lasting lamp is ideal for functional domestic and commercial applications.

- Quick Start Technology
- 16000 Hours
- Last up to 10 times longer than a standard lamp



Technical Specification	
Power	60W
Cap	G10q
Lumens	4100
Colour Temp	4100K
Dimmable	No
Life	16000 Hours

Code	CCT (K)	Lumens	Description
AC49269	4100	4100	60W T9 Triphosphor Circular Tube - 4 Pin, 4100K

4_AC49269_2021_V1