



## AC5297

### XP95 Detector Mounting Base

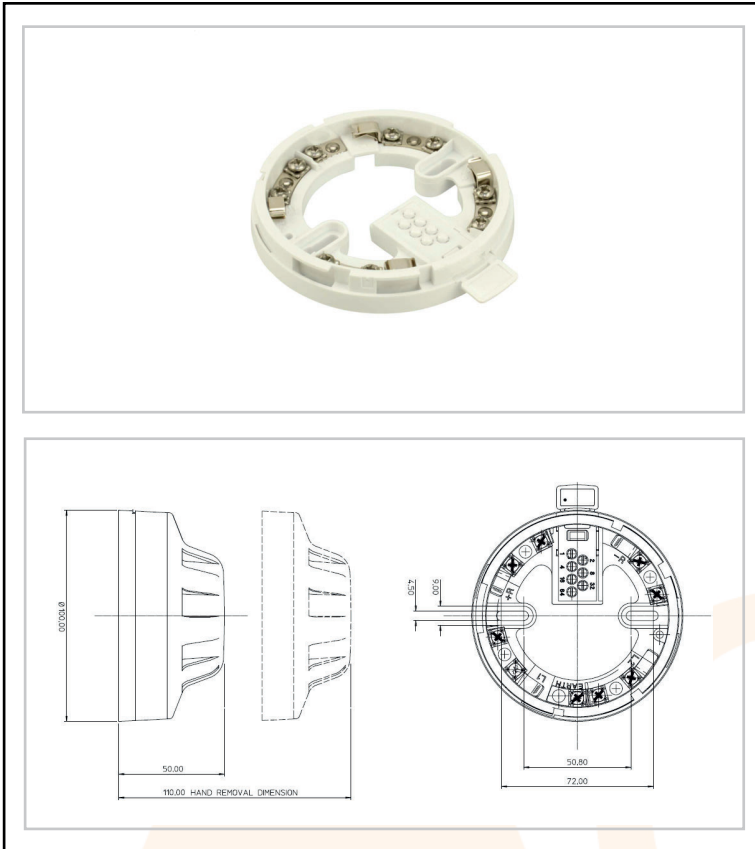
All detectors in the XP95 and Discovery ranges fit onto the low insertion force Intelligent Mounting Base with stainless steel contacts for the detector terminals. XPERT7 cards are supplied with all bases.

Cable connections of up to 2.5 mm diameter are made via captive cable clamps.

There are four double terminals and a single one.  
 L1 - Line IN and OUT, double terminal.  
 L2+ - Line IN and OUT, double terminal.  
 +R - remote LED positive supply, double terminal  
 -R - remote LED negative supply, double terminal

The remaining single terminal is isolated and can be used to provide continuity of an earth or shield.

- One-way fit of detectors
- Locking feature to prevent unauthorised detector removal
- XPERT addressing



#### Technical Specification

Dimensions	Diameter 100 mm Depth 16mm
Digital Comms	XP95, Discovery & Core Protocol
Supply Wiring	2 wire supply- polarity insensitive
Weight	52gm

**5-AC5297-2022-V1**