



AC5298

XP95 Break Glass Call Point

FUNCTION

The XP95® Manual Call Point has been designed to operate on a loop of intelligent fire detection devices and when activated interrupts the polling cycle for a very fast response.

The XP95 Manual Call Point is intended for indoor applications and is fitted with a loop isolator.

FEATURES

The XP95 Manual Call Point has an easily resettable element rather than a break glass.

It also features a unique 'Plug and Play' installation concept designed specifically to reduce installation time. The call point utilises a terminal block, where all installation cabling is terminated.

The XP95 Manual Call Point is approved to EN54-11.

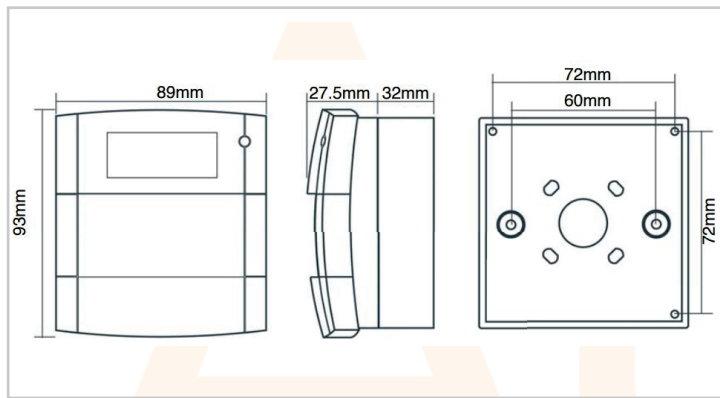
ELECTRICAL CONSIDERATIONS

The XP95 Manual Call Point is loop powered and operates at 17–28V DC.

PROTOCOL COMPATIBILITY

The XP95 Manual Call Point will operate only with control equipment using the Apollo XP95 digital

5-AC5298-2022-V1



Technical Specification

Dimensions	93mm x 89mm x 59.5mm
Digital Comms	XP95 Protocol
Supply Wiring	2 wire supply- polarity insensitive
Weight	160gm
Supply Voltage	17-28v DC
Quiescent current	100µA
IP Rating	45
Operating Temperature	-20°C to +60°C