

AC5783

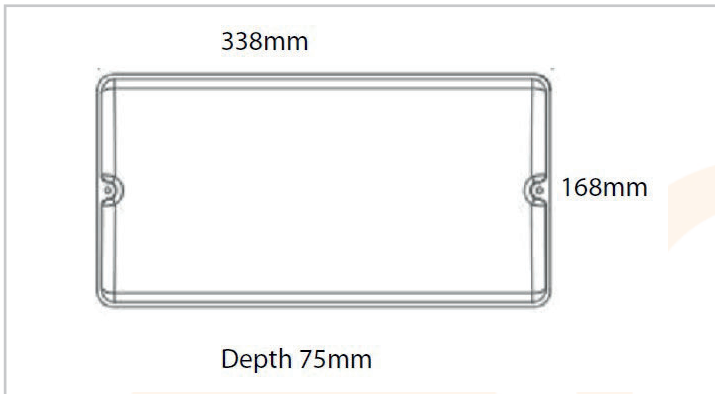
15w High Output Emergency

The AC5783 is a 15w LED maintained bulkhead that utilises the LED technology and provides up to 15 times the normal emergency light output.

The AC5783 offers a solution for high areas or areas requiring high emergency lighting levels.

Features

- Approximately **15x** the light output of a typical LED bulkhead.
- Long life LED technology
- Maintained or non-maintained operation
- Polycarbonate construction with clear diffuser
- Hinged gear tray for easy installation
- Cable entry: rear, end & side of fitting
- Easy to install
- Low environmental impact
- Low running costs
- Low maintenance
- Meets BS EN 60598-2-22 and other relevant standards
- Green charge LED



Technical Specification	
Light Source	42 x LED SMD 2835 - (15W)
IP rating	IP65
Emergency Duration	3-Hours (minimum)
Mains voltage	230v 50Hz \pm 10%
Mains current	90mA quiescent
Recharge period	Less than 24 hours
Charge indicator	Integral Green LED
Changeover voltage	As per requirements of BS EN 60598-2-22
Temperature range	-5 TO 40 °C
Weight	950gm
Battery	9.6v 4500mAh NiCd
Size	338mm x 168mm x 75mmD
Lumen output	1500Lm

5-AC5783-2022-V1