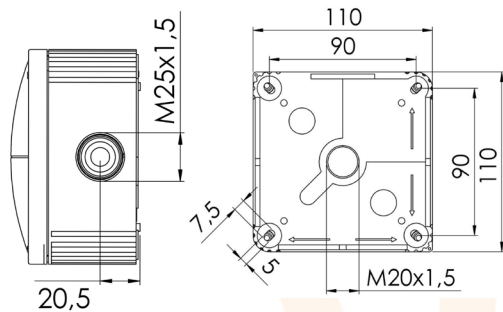




**AC7212**



Technical Specification	
Material cable gland	Polypropylene
Protection class	IP66 / IP67
Temp. range min	-30 °C
Temp. range max	100 °C
Temperatures during install.	-5 °C - 60 °C
Glow wire test	750 °C
Voltage	690 V
Product Color	Black -RAL 9005
Terminals/poles	6 mm <sup>2</sup>
Fixing	4 internal openings
Ø cable diameter min	5.2 mm
Ø cable diameter max	17 mm
External dimensions LxWxH	110 x 110 x 66 mm
Packing unit	3

2-AC7212-2021-V1