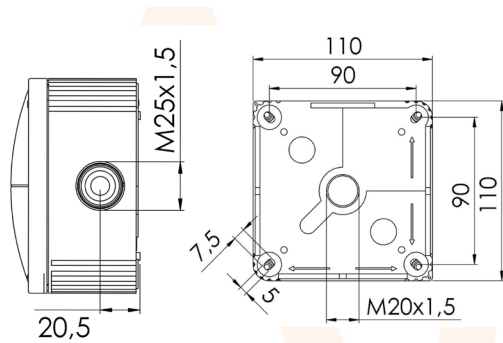




AC7213



Technical Specification	
Material cable gland	Polypropylene
Protection class	IP66 / IP67
Temp. range min	-30 °C
Temp. range max	100 °C
Temperatures during install.	-5 °C - 60 °C
Glow wire test	750 °C
Voltage	690 V
Product Color	Grey - RAL 7035
Terminals/poles	5 x 6 mm ²
Fixing	3 membrane cable entries through rear
External dimensions LxWxH	110 x 110 x 66mm
Packing unit	3

2-AC7213-2021-V1