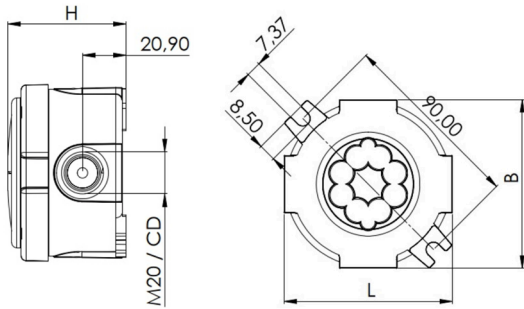




AC7218



Technical Specification

Material cable gland	Polypropylene
Protection class	IP66 / IP67
Temp. range min	-30 °C
Temp. range max	100 °C
Temperatures during install.	-5 °C - 60 °C
Glow wire test	750 °C
Voltage	400 V
Product Color	White - RAL 9001
Terminals/poles	5-pole, 10.0 mm ²
Fixing	2 external mounting feet
Ø cable diameter min	3 mm
Ø cable diameter max	12 mm
External dimensions LxWxH	Ø 82 x 57mm
Type of cable gland	M 20 x 1,5
Packing unit	5

2-AC7218-2021-V1