



## AC7904

### Through Box 20mm Galvanised

#### Features & Benefits

Allows for ease of access and installation of cables

Provision for M4 earthing screw

Suitable for 20mm Conduit

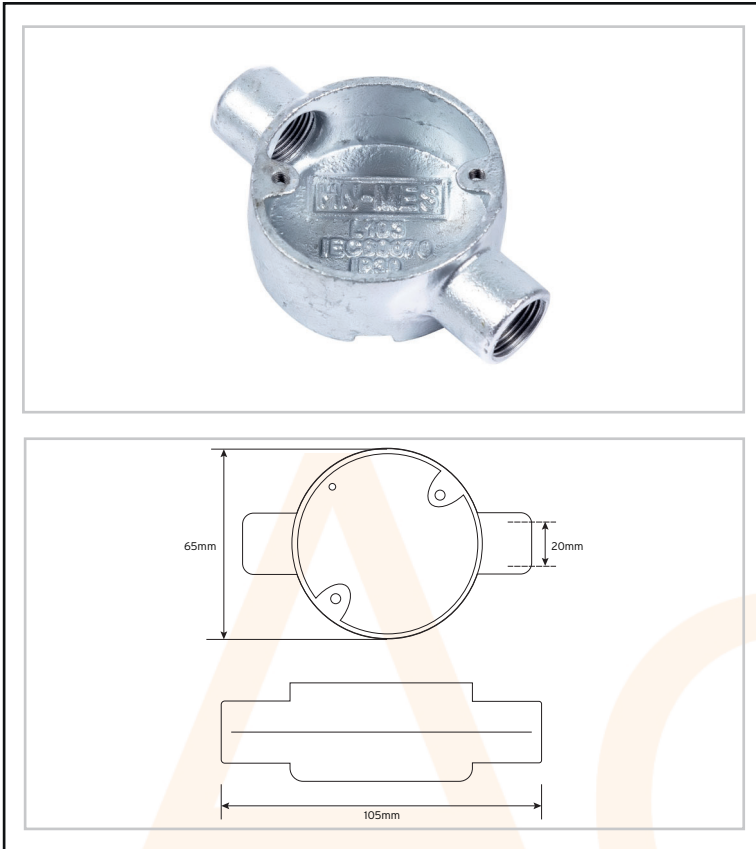
Galvanised

Corrosion Resistant (Class4)

Robust heavy gauge material to protect cables

Compatible with galvanised lids and other accessories

Standard fixing centres 50.8mm



#### Technical Specification

Type	2 Way, Through
Size	20mm
Finish	Galvanised
Standards	BS EN 61386-1:2008 & BS4568
Size	Ø 65mm x 105mm L
Material	Malleable Iron

**7-AC7904-2021-V1**