



AC7936

Inspection Bend 25mm Galv

Features & Benefits

Allows for ease of access and installation of cables

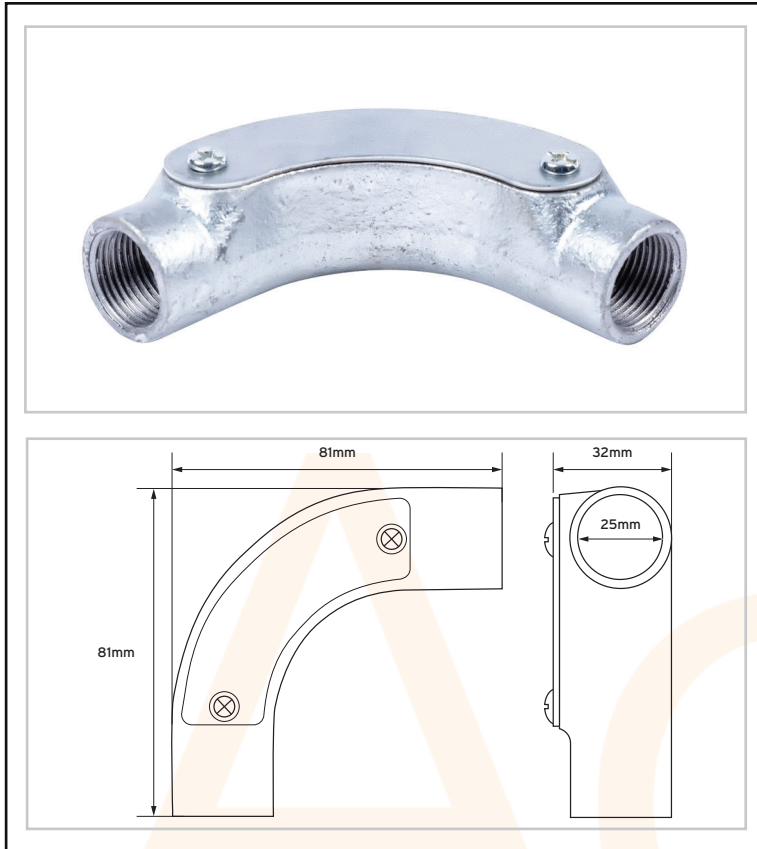
Supplied with lid and cover screws

Suitable for 25mm Conduit

Galvanised

Corrosion Resistant (Class4)

Robust heavy gauge material to protect cables



Technical Specification	
Material	Malleable Steel
Size	20mm
Finish	Galv.
Standards	BS EN 61386-1:2008

7-AC7936-2021-V1