



AC7938

Inspection Tee 20mm Galv

Features & Benefits

Allows for ease of access and installation of cables

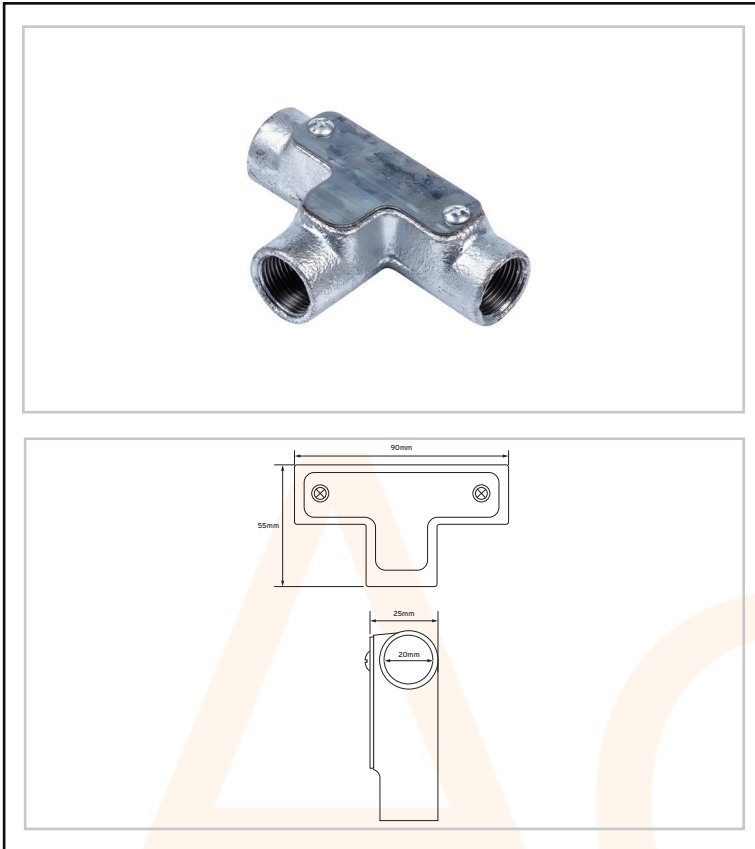
Supplied with lid and cover screws

Suitable for 20mm Conduit

Galvanised

Corrosion Resistant (Class4)

Robust heavy gauge material to protect cables



Technical Specification

Material	Malleable Steel
Size	20mm
Finish	Galv.
Standards	BS EN 61386-1:2008

7-AC7938-2021-V1