



AC7948

Dome Cover 20mm Galvanised

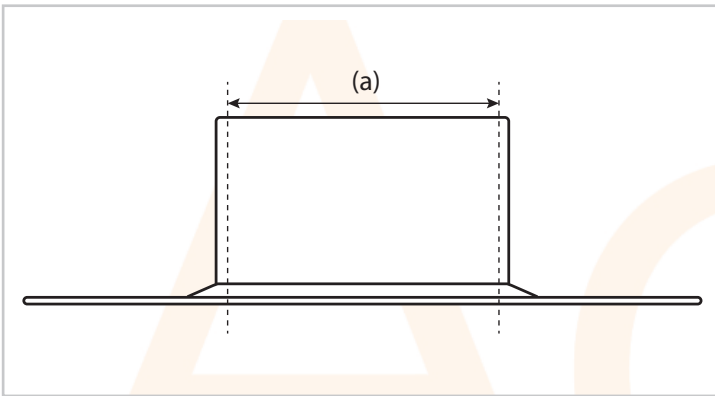
Features & Benefits

Fits 20mm or 25mm conduit boxes

Suitable for use with 20mm male hook

Easy to mount provision for two M4 machine screws on base

Galvanised/Corrosion resistant



**Technical Specification**

|                        |                    |
|------------------------|--------------------|
| Material               | Mild Steel         |
| Finish                 | BZP                |
| Fitting Type           | Dome               |
| Standard of Compliance | BS EN 61386-1:2008 |
| Dimension (a)          | 20mm               |
|                        |                    |
|                        |                    |
|                        |                    |
|                        |                    |
|                        |                    |
|                        |                    |
|                        |                    |
|                        |                    |
|                        |                    |

**7-AC7948-2021-V1**