



## AC7982

### Distance Saddle 25mm Galv

#### Features & Benefits

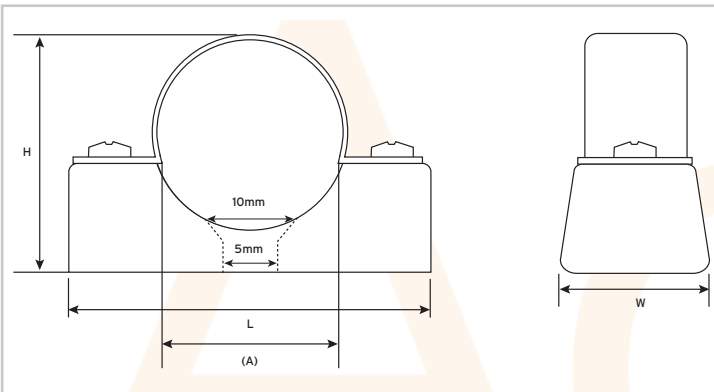
Suitable for 25mm conduit

Protects conduit from excessive build up of dust and other particles

Complies with LU Standard 1-085 (for use on surface and sub-surface locations)

Prevent cable collapsing in fire situations

Galvanised/Corrosion resistant



#### Technical Specification

Size Nominal (A)	25mm
Standard of compliance	BS EN 61386-1:2008
Finish	BZP/Galv
Pack Size	50
Dimensions HxWxL	32x20x60mm
Pinhole	5mm

**7-AC7982-2021-V1**